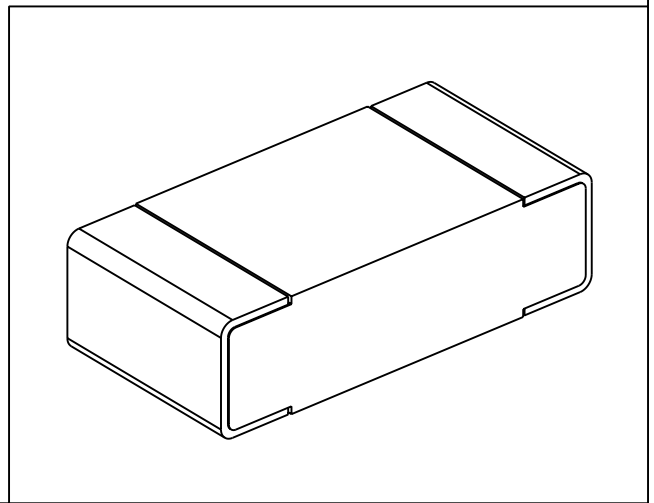
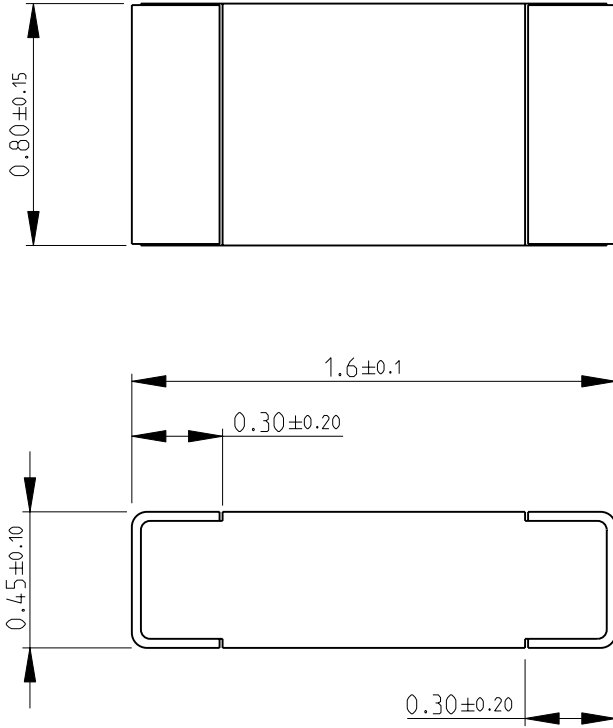


LOC	DIST	REVISIONS					
E	B	P	LTR	DESCRIPTION	DATE	DWN	APVD
			BA	NEW RELEASE	04-NOV-08	SM	St.P

FOR FURTHER INFORMATION SEE DATA SHEET FOR  
CRG SERIES-THICK FILM CHIP RESISTORS



RoHS Compliant

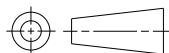
2008

RELEASED FOR PUBLICATION

THIS DRAWING IS UNPUBLISHED.

© COPYRIGHT 2008 BY TYCO ELECTRONICS CORPORATION. ALL RIGHTS RESERVED.

DIMENSIONS: mm	DWN	SUBHASH.M	04-NOV-08	MATERIAL	-	FINISH	-			
	CHK	PRAKASH.S	04-NOV-08	Tyco Electronics Corporation Dorcan, Swindon, SN3 5HH						
TOLERANCES UNLESS OTHERWISE SPECIFIED:	APVD	STEPHEN.P	04-NOV-08							
0 PLC ±0.5	PRODUCT SPEC	-	NAME THICK FILM CHIP RESISTORS							
1 PLC ±0.2	APPLICATION SPEC	-	SERIES CRG 0603							
2 PLC ±0.1	WEIGHT	-	SIZE	A 4	CAGE CODE	00779	DRAWING NO	©= 1622918	RESTRICTED TO	-
3 PLC ±-			SCALE		40:1		SHEET		1 OF 1	
4 PLC ±-			CUSTOMER DRAWING				REV		BA	
ANGLES ±5°										



# Mouser Electronics

Authorized Distributor

Click to View Pricing, Inventory, Delivery & Lifecycle Information:

[TE Connectivity:](#)

[CRG0603F330R](#)